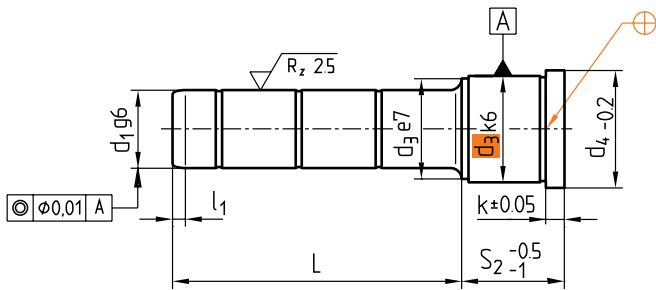
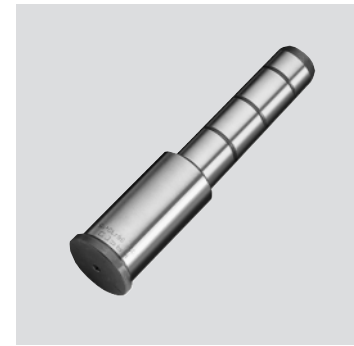


Z03/...

Mat.: ≈ 1.0401/690 + 70 HV 30
 ≈ DIN 16761-B

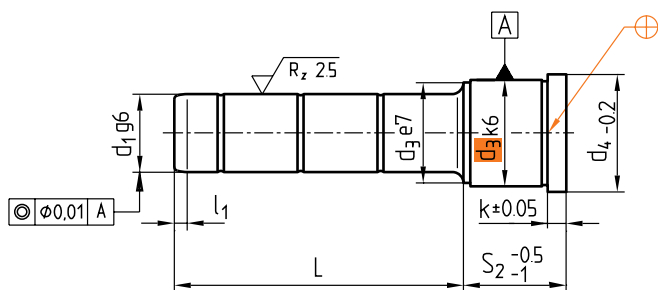
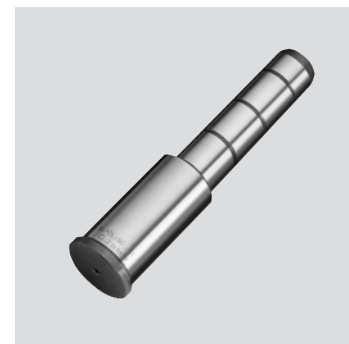


l_1	k	d_3	d_4	S_2	d_1	L	Nr./No.	d_1	Nr./No.			
4	3	14	16	17	9	20	Z03/17/ 9x 20	10	Z03/17/10x 20			
						30	30		Z03/17/10x 30			
						22	9		25	Z03/22/ 9x 25	10	Z03/22/10x 25
									35	35	Z03/22/10x 35	
									55	55	Z03/22/10x 55	
						27	9		30	Z03/27/ 9x 30	10	Z03/27/10x 30
				50	50			Z03/27/10x 50				
				36	9			25		Z03/36/ 9x 25		10
						45	45		Z03/36/10x 45			
						46	9		30	Z03/46/ 9x 30	10	
				45	45			Z03/46/10x 45				
				45	45			Z03/46/10x 45				
7	6	20	25	22	14	20	Z03/22/14x 20	15	Z03/22/15x 20			
						35	35		Z03/22/15x 35			
						40	40		Z03/22/15x 40			
						45	45		Z03/22/15x 45			
						50	50		Z03/22/15x 50			
						55	55		Z03/22/15x 55			
						65	65		Z03/22/15x 65			
						70	70		Z03/22/15x 70			
						90	90		Z03/22/15x 90			
						110	110		Z03/22/15x 110			
7	6	20	25	27	14	20	Z03/27/14x 20	15	Z03/27/15x 20			
						35	35		Z03/27/15x 35			
						40	40		Z03/27/15x 40			
						45	45		Z03/27/15x 45			
						55	55		Z03/27/15x 55			
						65	65		Z03/27/15x 65			
						85	85		Z03/27/15x 85			
						105	105		Z03/27/15x 105			
7	6	20	25	36	14	20	Z03/36/14x 20	15	Z03/36/15x 20			
						35	35		Z03/36/15x 35			
						40	40		Z03/36/15x 40			
						45	45		Z03/36/15x 45			
						55	55		Z03/36/15x 55			
						65	65		Z03/36/15x 65			
						75	75		Z03/36/15x 75			
						95	95		Z03/36/15x 95			
7	6	20	25	46	14	20	Z03/46/14x 20	15	Z03/46/15x 20			
						35	35		Z03/46/15x 35			
						45	45		Z03/46/15x 45			

This is trial version
www.adultpdf.com

Z03/...

Mat.: ≈ 1.0401/690 + 70 HV 30
 ≈ DIN 16761-B

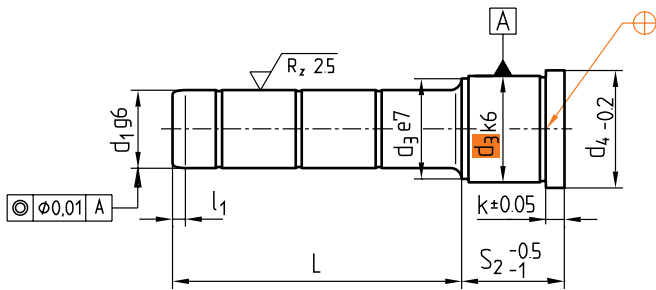
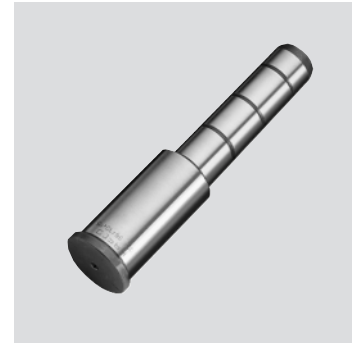


							∅			∅					
l_1	k	d_3	d_4	S_2	d_1	L	Nr./No.		d_1	Nr./No.					
7	6	20	25	46	14	65	Z03/46/14x	65	15	Z03/46/15x	65				
						85		85							
						105		105							
						20	Z03/56/14x	20		15	Z03/56/15x	20			
						35		35							
				55		55									
				75		75									
				7	6	20	25	66	14	55	Z03/66/14x	55	15	Z03/66/15x	55
										65		65			
										95		95			
76	14	55	Z03/76/14x					55	15	Z03/76/15x	55				
		95						95							
		86	14					55		Z03/86/14x	55	15	Z03/86/15x	55	
95		95													
7	6	26	31					22	18	20	Z03/22/18x	20	20	Z03/22/20x	20
										35		35			
				40		40									
				45		45									
				50		50									
				55		55									
				60		60									
				65		65									
				70		70									
				80		80									
				85		85									
				85		85									
				115		115									
				7	6	26	31			27	18	20		Z03/27/18x	20
35		35													
40		40													
45		45													
50		50													
55		55													
60		60													
65		65													
70		70													
80		80													
85		85													
85		85													
105		105													
125		125													

This is trial version
www.adultpdf.com

Z03/...

Mat.: ≈ 1.0401/690 + 70 HV 30
 ≈ DIN 16761-B

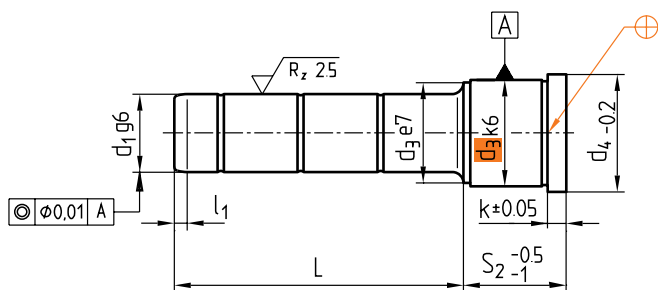
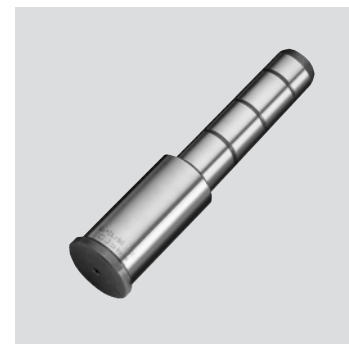


l_1	k	d_3	d_4	S_2	d_1	L	Nr./No.	d_1	Nr./No.							
7	6	26	31	36	18	20	Z03/ 36/18x 20	20	Z03/ 36/20x 20							
						35	35		35							
						40	40		40							
						45	45		45							
						50	50		50							
						55	55		55							
						60	60		60							
						65	65		65							
						70	70		70							
						75	75		75							
						80	80		80							
						95	95		95							
						115	115		115							
						135	135		135							
7	6	26	31	46	18	20	Z03/ 46/18x 20	20	Z03/ 46/20x 20							
						45	45		45							
						65	65		65							
						85	85		85							
						105	105		105							
						135	135		135							
						165	165		165							
				56	18	20	Z03/ 56/18x 20	20	Z03/ 56/20x 20							
						35	35		35							
						55	55		55							
						75	75		75							
						95	95		95							
						7	6		26	31	66	18	55	Z03/ 66/18x 55	20	Z03/ 66/20x 55
													75	75		75
95	95	95														
76	18	55	Z03/ 76/18x 55	20	Z03/ 76/20x 55											
		75	75		75											
		95	95		95											
7	6	26	31	86	18	55	Z03/ 86/18x 55	20	Z03/ 86/20x 55							
						75	75		75							
						95	95		95							
				96	18	55	Z03/ 96/18x 55	20	Z03/ 96/20x 55							
						95	95		95							
						116	18		115	Z03/116/18x115	20	Z03/116/20x115				
7	6	30	35	27	22	25	Z03/ 27/22x 25	24	Z03/ 27/24x 25							
						45	45		45							

This is trial version
www.adultpdf.com

Z03/...

Mat.: ≈ 1.0401/690 + 70 HV 30
 ≈ DIN 16761-B

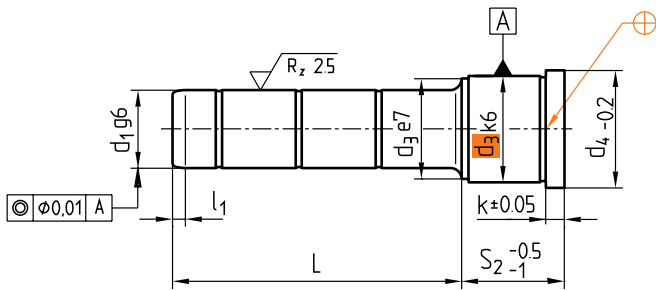
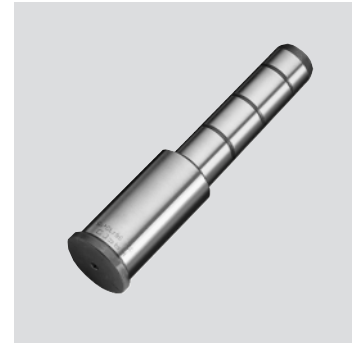


							∅			∅	
l_1	k	d_3	d_4	S_2	d_1	L	Nr./No.		d_1	Nr./No.	
7	6	30	35	27	22	50	Z03/27/22x	50	24	Z03/27/24x	50
						60		60			
						65		65			
						70		70			
						80		80			
						85		85			
						105		105			
						125		125			
						165		165			
						7	6	30		35	36
45		45									
50		50									
55		55									
60		60									
70		70									
75		75									
80		80									
95		95									
115		115									
7	6	30	35	46	22	25	Z03/46/22x	25	24	Z03/46/24x	25
						45		45			
						50		50			
						60		60			
						65		65			
						70		70			
						80		80			
						85		85			
						105		105			
						125		125			
7	6	30	35	56	22	25	Z03/56/22x	25	24	Z03/56/24x	25
						45		45			
						55		55			
						75		75			
						95		95			
						115		115			
						165		165			

This is trial version
www.adultpdf.com

Z03/...

Mat.: ≈ 1.0401/690 + 70 HV 30
 ≈ DIN 16761-B

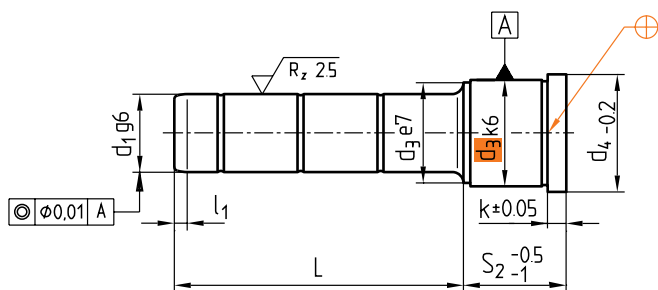


l_1	k	d_3	d_4	S_2	d_1	L	Nr./No.	d_1	Nr./No.						
7	6	30	35	66	22	55	Z03/ 66/22x 55	24	Z03/ 66/24x 55						
						75	75		75						
						95	95		95						
						76	22		25	Z03/ 76/22x 25	24	Z03/ 76/24x 25			
									45	45		45			
									55	55		55			
				75	75			75							
		95		95	95										
		115		115	115										
		7		6	30	35	86	22	55	Z03/ 86/22x 55	24	Z03/ 86/24x 55			
									75	75		75			
									95	95		95			
									96	22		55	Z03/ 96/22x 55	24	Z03/ 96/24x 55
												75	75		75
95	95		95												
116	22		75				Z03/116/22x 75	24			Z03/116/24x 75				
			115		115		115								
			155		155		155								
			136		135		Z03/136/22x135		24	Z03/136/24x135					
7	6		42		47		27	30		45	Z03/ 27/30x 45	32	Z03/ 27/32x 45		
										65	65		65		
										105	105		105		
									165	165	165				
		36		30		55			Z03/ 36/30x 55	32	Z03/ 36/32x 55				
						75			75		75				
						95	95	95							
			115			115	115								
		155	155	155											
		46	30	45		30	30	30	45	Z03/ 46/30x 45	32	Z03/ 46/32x 45			
									65	65		65			
									85	85		85			
									105	105		105			
									125	125		125			
165	165				165										
7	6	42	47	56	30	55	Z03/ 56/30x 55	32	Z03/ 56/32x 55						
						75	75		75						
						95	95		95						
						115	115		115						
						135	135		135						
						175	175		175						

This is trial version
www.adultpdf.com

Z03/...

Mat.: ≈ 1.0401/690 + 70 HV 30
 ≈ DIN 16761-B

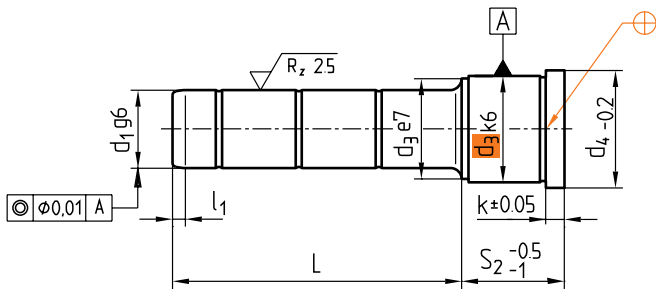
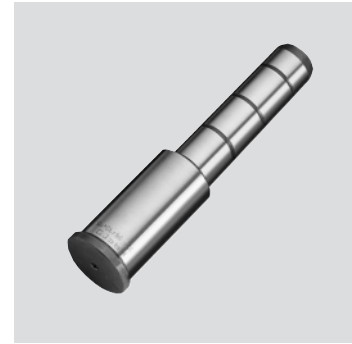


							∅			∅			
l ₁	k	d ₃	d ₄	S ₂	d ₁	L	Nr./No.	d ₁	Nr./No.				
7	6	42	47	66	30	55	Z03/ 66/30x 55	32	Z03/ 66/32x 55				
						75	75		75				
						95	95		95				
						115	115		115				
						135	135		135				
						175	175		175				
					76	30	55	Z03/ 76/30x 55	32	Z03/ 76/32x 55			
							75	75		75			
							95	95		95			
							115	115		115			
							155	155		155			
							155	155		155			
				86	30	55	Z03/ 86/30x 55	32	Z03/ 86/32x 55				
						75	75		75				
						95	95		95				
						115	115		115				
						155	155		155				
						155	155		155				
				7	6	42	47	96	30	55	Z03/ 96/30x 55	32	Z03/ 96/32x 55
										75	75		75
										95	95		95
										115	115		115
										155	155		155
										155	155		155
116	30	75	Z03/116/30x 75						32	Z03/116/32x 75			
		115	115							115			
		155	155							155			
		155	155							155			
		155	155							155			
		155	155							155			
136	30	95	Z03/136/30x 95					32	Z03/136/32x 95				
		115	115						115				
		155	155						155				
		155	155						155				
		155	155						155				
		155	155						155				
156	30	115	Z03/156/30x115					32	Z03/156/32x115				
		155	155						155				
		155	155						155				
		155	155						155				
		155	155						155				
		155	155						155				
196	30	155	Z03/196/30x155	32	Z03/196/32x155								
		195	195		195								
		195	195		195								
		195	195		195								
		195	195		195								
		195	195		195								
7	10	54	60	56	40	75	Z03/ 56/40x 75	42	Z03/ 56/42x 75				
						115	115		115				
						155	155		155				
						195	195		195				
						195	195		195				
						195	195		195				
				66	40	75	Z03/ 66/40x 75	42	Z03/ 66/42x 75				
						135	135		135				
						135	135		135				
						135	135		135				
						135	135		135				
						135	135		135				
76	40	75	Z03/ 76/40x 75	42	Z03/ 76/42x 75								
		115	115		115								
		115	115		115								
		115	115		115								
		115	115		115								
		115	115		115								

This is trial version
 www.adultpdf.com

Z03/...

Mat.: ≈ 1.0401/690 + 70 HV 30
 ≈ DIN 16761-B



l_1	k	d_3	d_4	S_2	d_1	L	Nr./No.	d_1	Nr./No.		
7	10	54	60	86	40	75	Z03/ 86/40x 75	42	Z03/ 86/42x 75		
						135	135		Z03/ 96/42x 75		
						75	Z03/ 96/40x 75		115	115	
				96	40	155	155	155			
						116	40	95	Z03/116/40x 95	42	Z03/116/42x 95
						135		135	135		
				195	195	195					
				136	40	95	95	Z03/136/40x 95	42	Z03/136/42x 95	
								135		135	135
								215		215	215
				156	40	115	115	Z03/156/40x115	42	Z03/156/42x115	
								155		155	155
								215		215	215
				196	40	155	155	Z03/196/40x155	42	Z03/196/42x155	
								195		195	195
								235		235	235
10	10	66	72	96	50	115	Z03/ 96/50x115				
				116		135	116/50x135				
				136		135	136/50x135				
				156		155	156/50x155				
				196		175	196/50x175				
10	20	80	86	96	60	115	Z03/ 96/60x115				
				116		135	116/60x135				
				136		135	136/60x135				
				156		155	156/60x155				
				196		175	196/60x175				
				246		195	246/60x195				

This is trial version
www.adultpdf.com